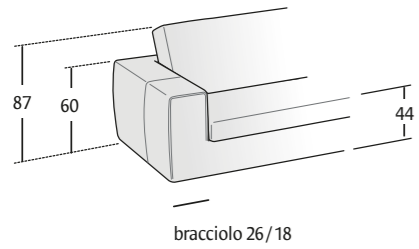
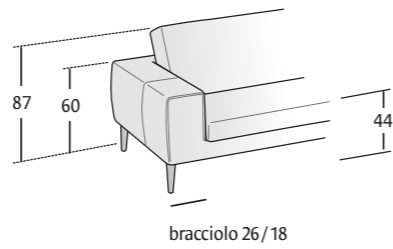


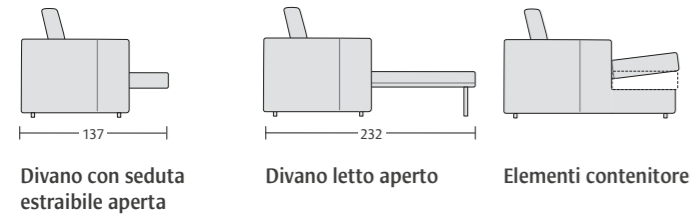
# PEPPY



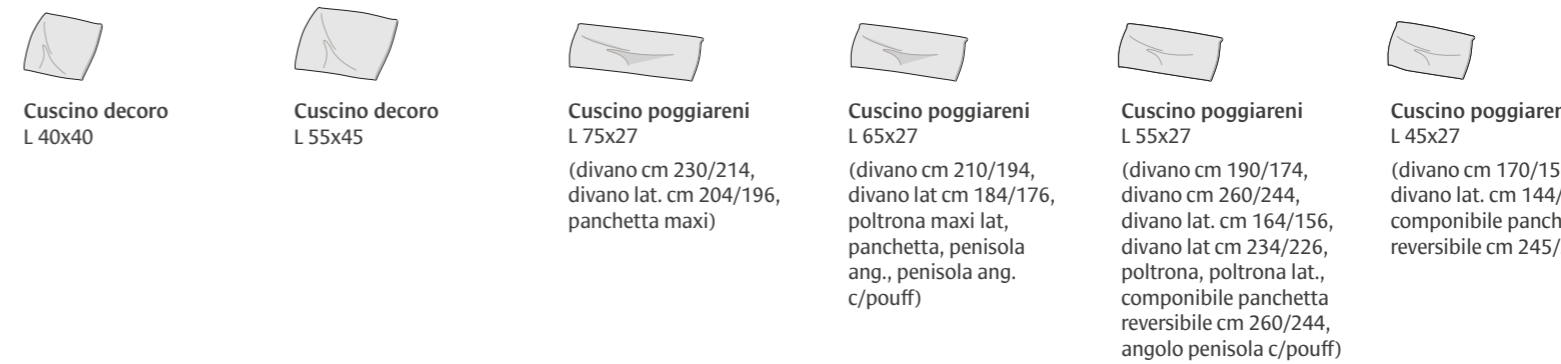
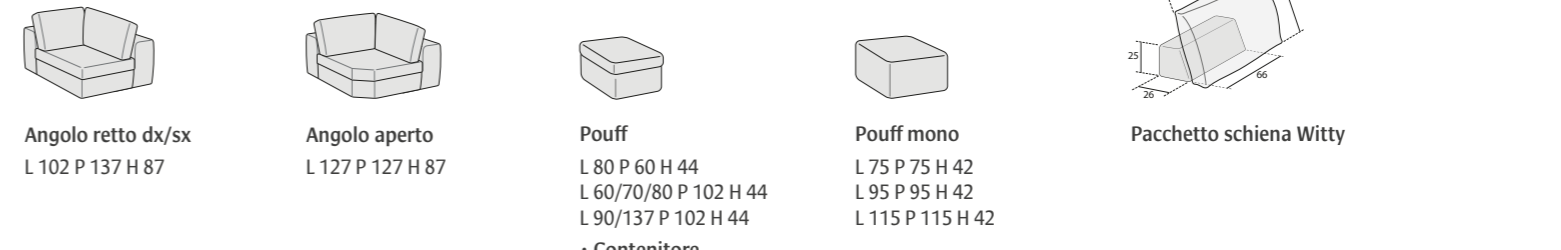
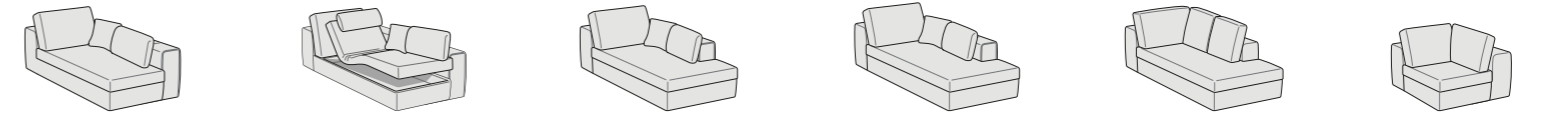
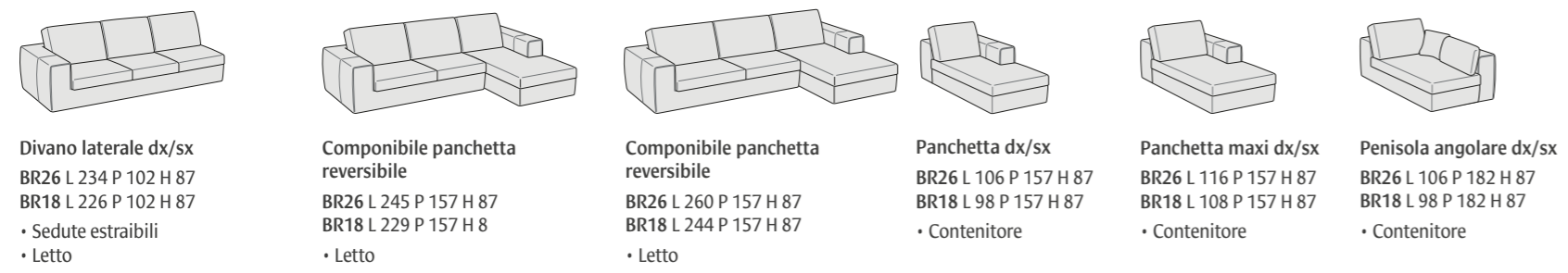
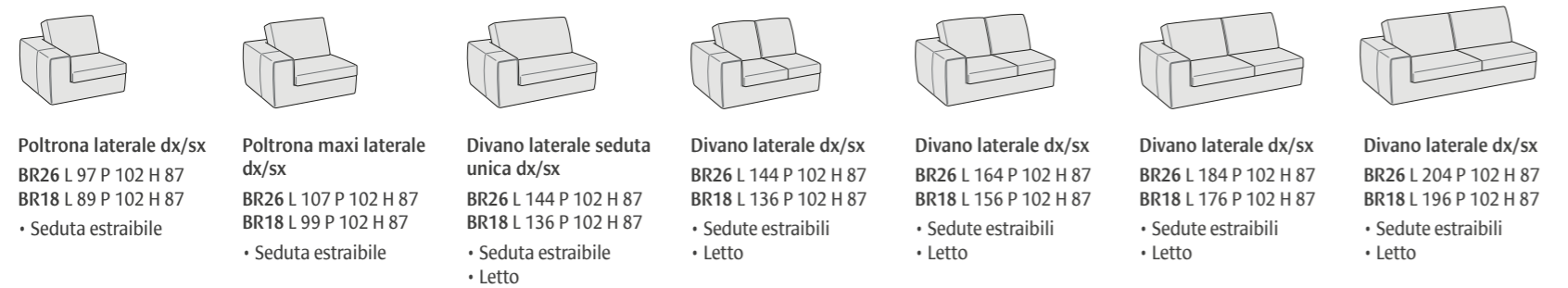
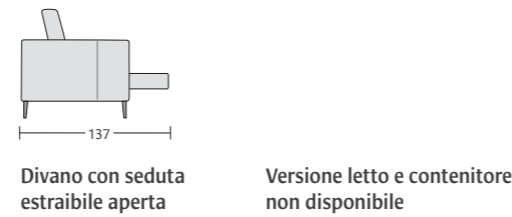
# PEPPY SPECIAL



Possibilità • Possibility



Possibilità • Possibility



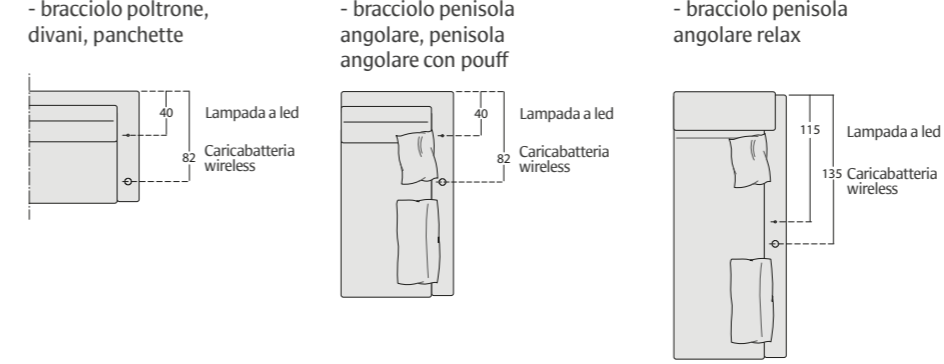
COMPLEMENTI: LAMPADA A LED, CARICABATTERIA WIRELESS, ACCESSORIO POP

Lampada a Led touch, pieghevole e facilmente rimovibile  
Touch led lamp, foldable and easily pull-out

Caricabatteria Wireless posizionato sotto il rivestimento, per dispositivi idonei  
Wireless charger under the cover, for suitable devices



Posizione lampada a led e caricabatteria wireless su:



# PEPPY



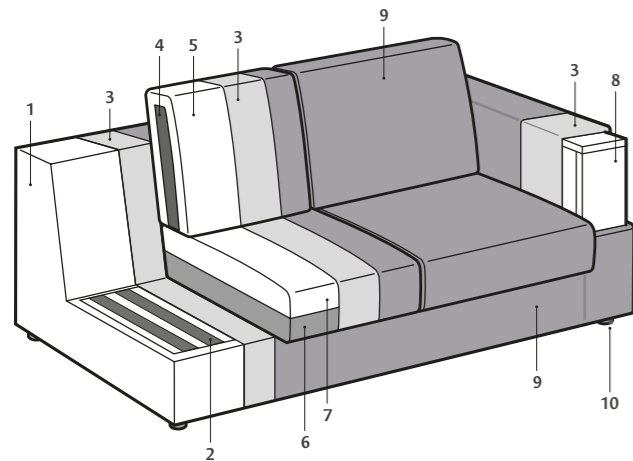
Piede in ABS effetto sospeso di serie.  
Foot in ABS with suspended effect as standard.



Piede in legno Brick colore beige o nero optional.  
Optional beige or black finish wooden Brick foot.

Piede in metallo Base finitura cromo o manganese optional.  
Chrome or manganese finish metal Base foot optional.

Piede in metallo Line finitura cromo o manganese optional.  
Chrome or manganese finish metal Line foot optional.



1. Struttura in legno stagionato e agglomerato • Frame in seasoned wood and agglomerated wood.
  2. Molleggio seduta nastri elastici in fibra propilenica e lattice da 80 mm tesi meccanicamente • Seat sprung in mechanically-tensioned 80-mm propylene fibre and latex webbing.
  3. Rivestimento in ovatta di poliestere gr 300 • Covered in 300 gr polyester wadding.
  4. Inserto in legno stagionato dello schienale • Backrest insert in seasoned wood.
  5. Cuscino schienale in poliuretano espanso indeformabile D 18 • Back cushion in non-deformable D 18 polyurethane foam.
  6. Cuscino seduta in poliuretano espanso indeformabile D 32 • Seat cushion in non-deforming D 32 polyurethane foam.
  7. Bombatura seduta in poliuretano espanso indeformabile D 28 • Seat upholstery in non-deforming D 28 polyurethane foam.
  8. Imbottitura bracciolo in poliuretano espanso indeformabile D40 • Armrest padding in non-deformable D40 polyurethane foam.
  9. Rivestimento in tessuto, pelle o ecopelle • Covered in fabric, leather or eco leather.
  10. PIEDE DI SERIE • STANDARD FOOT
    - Piede in ABS effetto sospeso • Foot in ABS with suspended effect.
- PIEDI OPTIONAL • OPTIONAL FOOT
- Piede in legno Brick colore beige o nero • Beige or black wooden Brick foot.
  - Piede in metallo Base e Line finitura cromo o manganese • Chrome or manganese finish metal Base and Line foot.

# PEPPY SPECIAL



Piede in metallo Link finitura nichel nero di serie, finitura cromo optional.  
Standard black nickel finish metal Link foot, chrome finish optional.



Piede in metallo Model finitura cromo o manganese optional.  
Optional chrome or manganese finish metal Model foot.

Piede in metallo Zed finitura cromo o manganese optional.  
Optional chrome or manganese finish metal Zed foot.

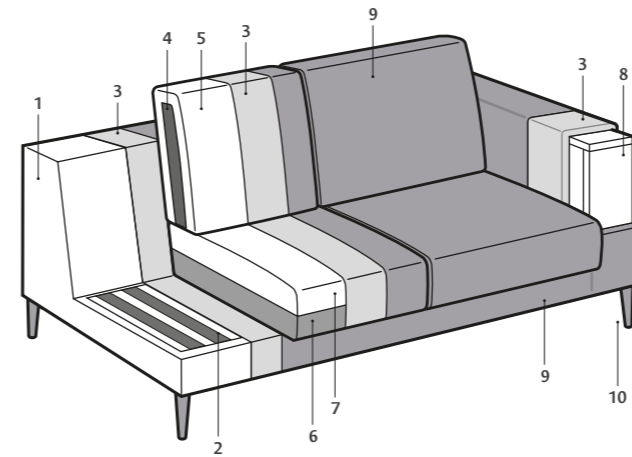
Piede in metallo Abby finitura cromo o manganese optional.  
Optional chrome or manganese finish metal Abby foot.

Piede in metallo Split finitura cromo o manganese optional.  
Optional chrome or manganese finish metal Split foot.

Piede in metallo Sky finitura cromo o manganese optional.  
Optional chrome or manganese finish metal Sky foot.

Piede in metallo Cross finitura cromo o manganese optional.  
Optional chrome or manganese finish metal Cross foot.

Piede in metallo Frame finitura grigio o manganese optional.  
Optional grey or manganese finish metal Frame foot.



1. Struttura in legno stagionato e agglomerato • Frame in seasoned wood and agglomerated wood.
  2. Molleggio seduta nastri elastici in fibra propilenica e lattice da 80 mm tesi meccanicamente • Seat sprung in mechanically-tensioned 80-mm propylene fibre and latex webbing.
  3. Rivestimento in ovatta di poliestere gr 300 • Covered in 300 gr polyester wadding.
  4. Inserto in legno stagionato dello schienale • Backrest insert in seasoned wood.
  5. Cuscino schienale in poliuretano espanso indeformabile D 18 • Back cushion in non-deformable D 18 polyurethane foam.
  6. Cuscino seduta in poliuretano espanso indeformabile D 32 • Seat cushion in non-deforming D 32 polyurethane foam.
  7. Bombatura seduta in poliuretano espanso indeformabile D 28 • Seat upholstery in non-deforming D 28 polyurethane foam.
  8. Imbottitura bracciolo in poliuretano espanso indeformabile D40 • Armrest padding in non-deformable D40 polyurethane foam.
  9. Rivestimento in tessuto, pelle o ecopelle • Covered in fabric, leather or eco leather.
  10. PIEDE DI SERIE • STANDARD FOOT
    - Piede in metallo Link finitura nichel nero • Black nickel finish metal Link foot.
- PIEDI OPTIONAL • OPTIONAL FOOT
- Piede in metallo Link finitura cromo • Chrome finish metal Link foot.
  - Piede in metallo Model, Zed, Abby, Split, Sky, Cross finitura cromo o manganese • Chrome or manganese finish metal Model, Zed, Abby, Split, Sky, Cross foot.
  - Piede in metallo Frame finitura grigio o manganese • Grey or manganese finish metal Frame foot.